



Product Features

- Certified to EN 1433 Load Class C - 56,000 lbs - 967 psi
- Uses 'QuickLok' boltless locking system
- Suitable for use with K300, KS300, H300K-13, and H300KS-13 channels and 621G, 621S, 631G, 631S catch basins
- Manufactured from ductile iron to ASTM A 536-84 - Grade 65-45-12
- E- coated for improved resistance against rust
- Complies with ADA - American Disabilities Act of 1990 Section 4.5.4
- Bicycle Tire Penetration Resistant to AS 3996 - 2006



Specifications

General

The surface drainage system shall be ACO Drain K300, KS300, H300K-13, and H300KS-13, channels* and 621G, 621S, 631G, 631S catch basins complete with ACO Type 879Q Mosaic ductile iron grate with 'QuickLok' locking as manufactured by ACO, Inc. or similar approved.

Materials

The covers shall be manufactured from ductile iron and have **minimum** properties as follows:

- **Independently certified to meet Load Class C to EN 1433 - 56,000 lbs - 967 psi**
- **Ductile iron to ASTM A 536-84 - Grade 65-45-12**
- **Intake area of 46.97 sq. in. (303.03 cm²) per half meter of grate**

The overall width of 13.35" (339mm) and overall length of 19.69" (500mm). Slots measure at a maximum of 0.82" (21mm).

Installation

The trench drain system and grates shall be installed in accordance with the manufacturer's installation instructions and recommendations.

* delete as appropriate

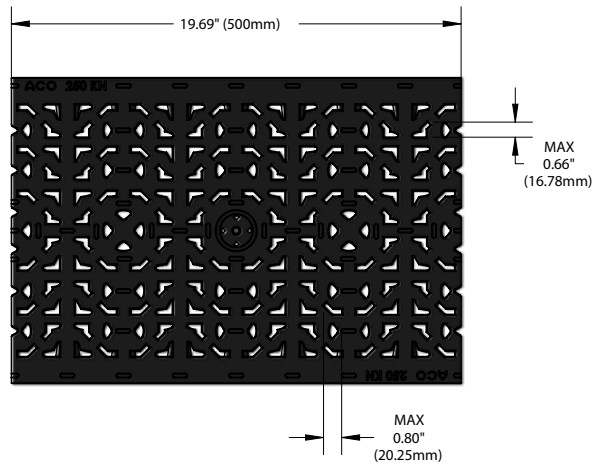
ACO Specification Information

ACO DRAIN

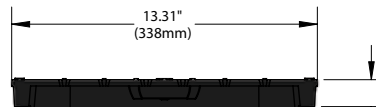
Type 879Q Mosaic ductile iron grate



Plan view

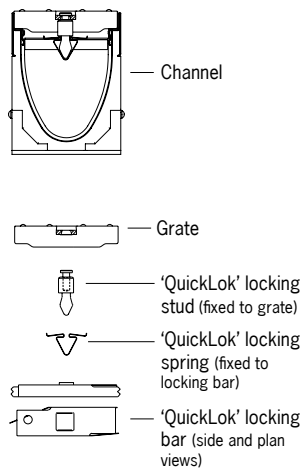


Side elevation



Description	Part No.	Length inches (mm)	Width inches (mm)	Weight lbs.
QuickLok grate				
Type 879Q Mosaic ductile iron grate	93958	19.69 (500)	13.35 (339)	47.3
QuickLok locking bar	10457	-	-	0.5
QuickLok grate removal tool	01318	-	-	0.3

'QuickLok' locking mechanism



ACO 'QuickLok' is a patented boltless locking system, grates are removed and replaced with the minimum time and effort for ease of maintenance. The unique design provides a positive 'snap down' fit into the locking bar. A stud is fixed to the grate which 'locks' into the spring clip in the locking bar.

The 'QuickLok' stud is made from stainless steel and high density nylon, the locking bar and clip are stainless steel, for use in both general purpose and corrosive environments.

ACO, Inc.
Northeast Sales Office
 9470 Pinecone Drive
 Mentor, Ohio 44060
 Tel: (440) 639-7230
 Toll free: (800) 543-4764
 Fax: (440) 285-7005

West Sales Office
 825 W. Beechcraft St.
 Casa Grande, AZ 85122
 Tel: (520) 421-9988
 Toll Free: (888) 490-9552
 Fax: (520) 421-9899

Southeast Sales Office
 4211 Pleasant Road
 Fort Mill, SC 29708
 Toll free: (800) 543-4764
 Fax: (803) 802-1063



Electronic Contact:
 info@ACODrain.us
 www.ACODrain.us



© April 2018, ACO, Inc. This information is believed to be accurate but it is not guaranteed to be so. We cannot assume liability for results that buyer obtains with our product since conditions of use are beyond the control of the company. It is the customer's responsibility to evaluate suitability and safety of product for his own use. ACO, Inc. reserves the right to change the product and specifications without notice.