

### Product Features

- Certified to EN 1433 Load Class C - 56,000 lbs - 967 psi
- Uses 'QuickLok' boltless locking system
- Suitable for use with K200, KS200, H200K-13, and H200KS-13 channels
- Manufactured from stainless steel - Grade 304
- Bicycle Tire Penetration Resistant to AS 3996 - 2006



### Specifications

#### General

The surface drainage system shall be ACO Drain K200, KS200, H200K-13, and H200KS-13, channels\* complete with ACO Type 630Q/631Q mesh stainless steel grate with 'QuickLok' locking as manufactured by ACO Polymer Products, Inc. or similar approved.

#### Materials

The covers shall be manufactured from stainless steel and have **minimum** properties as follows:

- **Independently certified to meet Load Class C to EN 1433 - 56,000 lbs - 967 psi**
- **Grade 304 stainless steel**
- **Intake area of 128sq. in. (825.80 cm<sup>2</sup>) per half meter of grate & 256 sq in. (1651.6 cm<sup>2</sup>) per meter grate**

The overall width of 9.37" (238mm) and overall length of 39.37" (1000mm) (Type 630Q) and overall length of 19.69" (500mm) (Type 631Q). Slots measure at a maximum of 1.22" (31mm).

#### Installation

The trench drain system and grates shall be installed in accordance with the manufacturer's installation instructions and recommendations.

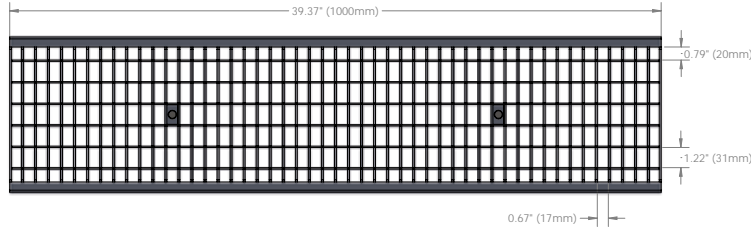
\* delete as appropriate

# ACO DRAIN

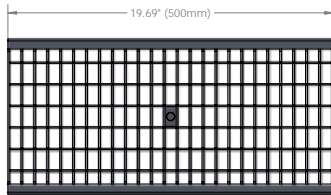
## Type 630Q/631Q Mesh stainless steel grate



Plan view



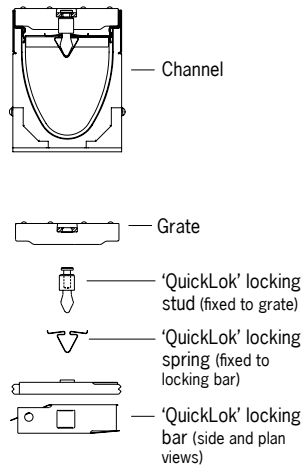
Side elevation



ACO Specification Information

Description	Part No.	Length inches (mm)	Width inches (mm)	Weight lbs.
<b>QuickLok grate</b>				
Type 630Q Mesh stainless steel grate	<b>16032</b>	39.37 (1000)	9.41 (239)	31.7
Type 631Q Mesh stainless steel grate	<b>16033</b>	19.69 (500)	9.41 (239)	16.1
QuickLok locking bar	<b>10457</b>	-	-	0.5
QuickLok grate removal tool	<b>01318</b>	-	-	0.3

### 'QuickLok' locking mechanism



ACO 'QuickLok' is a patented boltless locking system, grates are removed and replaced with the minimum time and effort for ease of maintenance. The unique design provides a positive 'snap down' fit into the locking bar. A stud is fixed to the grate which 'locks' into the spring clip in the locking bar.

The 'QuickLok' stud is made from stainless steel and high density nylon, the locking bar and clip are stainless steel, for use in both general purpose and corrosive environments.

#### ACO Polymer Products, Inc.

**Northeast Sales Office**  
9470 Pinecone Drive  
Mentor, Ohio 44060  
Tel: (440) 639-7230  
Toll free: (800) 543-4764  
Fax: (440) 285-7005

**West Sales Office**  
825 W. Beechcraft St.  
Casa Grande, AZ 85122  
Tel: (520) 421-9988  
Toll Free: (888) 490-9552  
Fax: (520) 421-9899

**Southeast Sales Office**  
4211 Pleasant Road  
Fort Mill, SC 29708  
Toll free: (800) 543-4764  
Fax: (803) 802-1063

#### Follow us on



**Electronic Contact:**  
info@ACODrain.us  
www.ACODrain.us



© April 2017 ACO Polymer Products, Inc. This information is believed to be accurate but it is not guaranteed to be so. We cannot assume liability for results that buyer obtains with our product since conditions of use are beyond the control of the company. It is the customer's responsibility to evaluate suitability and safety of product for his own use. ACO Polymer Products Inc. reserves the right to change the product and specifications without notice.