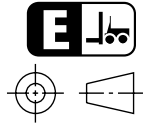
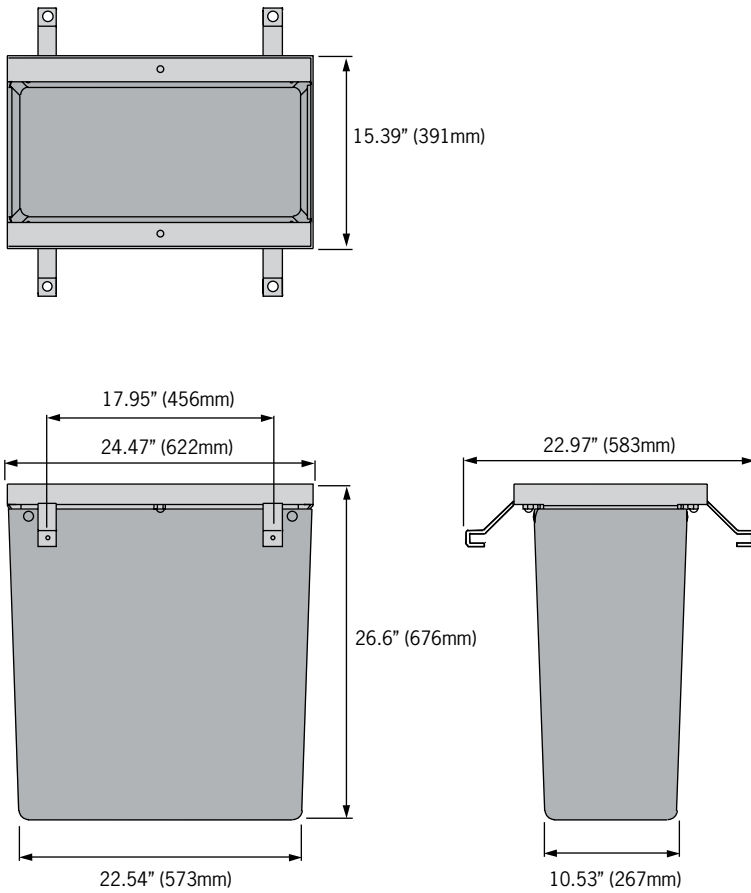
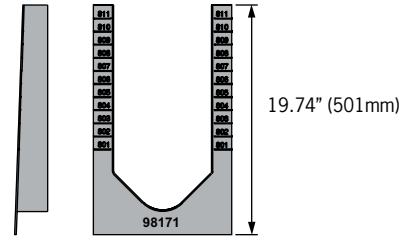


F660 catch basin with black coated frame

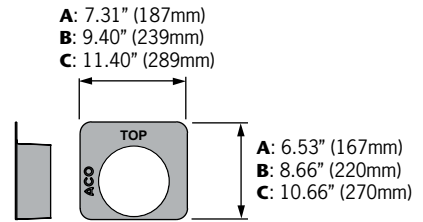
Catch basin



FG200 Channel collar



Pipe adapter



- A: 4" Pipe plain end adapter
- B: 6" Pipe plain end adapter
- C: 8" Pipe plain end adapter

Outlet flow rates

Outlet	Product	Outlet size (Sch. 40)	Invert Depth	GPM	CFS
97425	F660*	4" round	26.5 max	269	0.60
97438	F660*	6" round	26.5 max	594	1.32
97444	F660*	8" round	26.5 max	1032	2.30

Note: These are the pipe flow rates at the specified outlet, NOT channel flow rates.  
 \*Catch basin flow rates are without trash bucket - using trash bucket reduces flow.  
 Total capacity = 27.00 gallons  
 F660 fits FG200 trench system

ACO Specification Information

# ACO DRAIN

## F660 catch basin with black coated frame



ACO Specification Information

Description	Part No.	Overall Depth		Weight lbs.
		inches	mm	
F660 Catch basin body <sup>Ⓞ</sup>	98069	26.6	676	22.0
F660 Black coated steel frame	97995	3.13	79	13.8
F660 Plastic trash bucket	98067	5.75	146	5.0
<b>Accessories</b>				
4" plain end pipe adapter	97425	6.53	167	0.4
6" plain end pipe adapter	97438	8.66	220	0.6
8" plain end pipe adapter	97444	10.66	270	0.9

### Notes:

1. Depths are for the catch basin body & frame assembled
2. If foul air trap required, place contact ACO
3. For invert depth subtract 0.125" (3mm)
4. F660 catch basin fits FG200 trench system

### Specifications

#### General

The catch basin shall be ACO Drain F660 catch basin, complete with black coated steel frame and bolted gratings as manufactured by ACO Polymer Products, Inc. or equal approved.

#### Materials

The unit bodies shall be manufactured from fiberglass, with minimum properties as follows:

Compressive strength: 24,400 psi  
Flexural strength: 9,943 psi  
Water absorption 0.33%  
Frost proof  
Salt proof  
Dilute acid and alkali resistant

The nominal clear opening shall be 11.26" (286mm) wide by 23.48" (596mm) long. Overall width of 15.39" (391mm) by 24.47" (622mm) long.

Units shall be manufactured with a wall thickness of at least 0.125" (3mm)

The fiberglass catch basin body shall be fixed to the frame using push fit nylon studs.

Frames shall be manufactured from black coated steel and shall incorporate anchoring features to ensure maximum mechanical bond to the surrounding bedding material and pavement surface. Frames shall incorporate installation brackets to ensure correct and easy installation. Frames shall be at least 3/16" (5mm) thick.

#### Grates

Grates should be specified. See separate ACO Spec Info grate sheets for details.

#### Installation

The catch basin shall be installed in accordance with the manufacturer's installation instructions and recommendations.

### ACO Polymer Products, Inc.

#### Northeast Sales Office

P.O. Box 245  
Chardon, OH 44024  
Tel: (440) 285-7000  
Toll free: (800) 543-4764  
Fax: (440) 285-7005

#### West Sales Office

P.O. Box 12067  
Casa Grande, AZ 85130  
Tel: (520) 421-9988  
Toll Free: (888) 490-9552  
Fax: (520) 421-9899

#### Southeast Sales Office

4211 Pleasant Road  
Fort Mill, SC 29708  
Toll free: (800) 543-4764  
Fax: (803) 802-1063

#### Follow us on



#### Electronic Contact:

info@ACODrain.us  
www.ACODrain.us



© April 26, 2013 ACO Polymer Products, Inc. This information is believed to be accurate but it is not guaranteed to be so. We cannot assume liability for results that buyer obtains with our product since conditions of use are beyond the control of the company. It is the customer's responsibility to evaluate suitability and safety of product for his own use. ACO Polymer Products Inc. reserves the right to change the product and specifications without notice.