

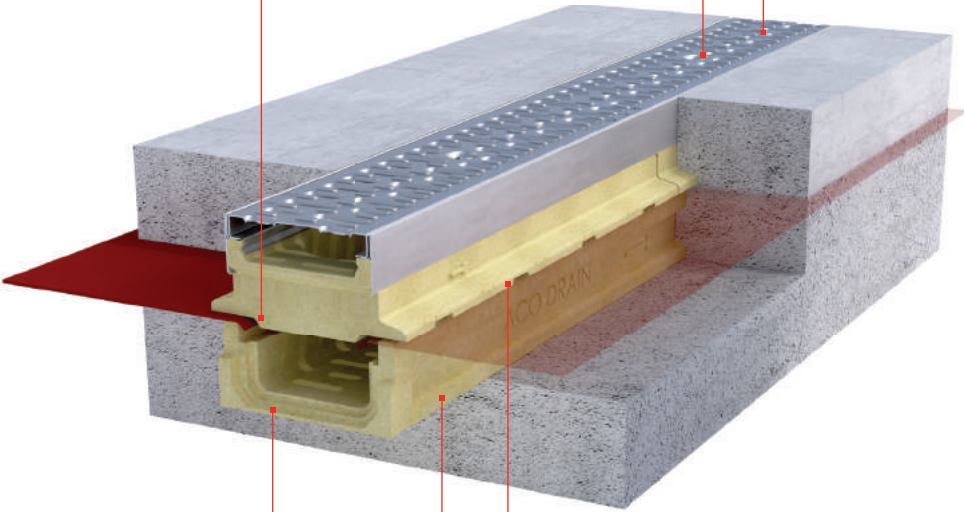
ACO External Drainage



Membrane is clamped between channel and subframe. Maximum membrane thickness of 1/2" (12.7mm) can be accommodated - take care not to block weep holes if using a thick membrane. Liquids seep through the pavement, collect on the membrane (not supplied by ACO) and drain into the channel.

Clamping device - an inverted 'U' shaped locking bar is fitted to the H80/H100 channel. The modified QuickLok locking bar is fitted to the Membrane drain subframe. Two bolts allow connection between the two bars and hold the membrane tight.

Grates sit directly into the membrane drain subframe and lock into position with a removable QuickLok locking bar mechanism.



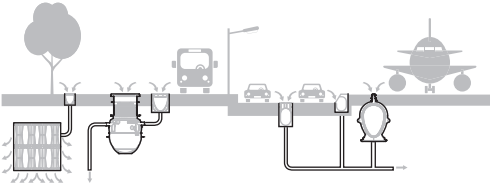
End caps and accessories are available from the H80/H100 range.

Used with H80/H100 channel - Membrane subframe fits directly on the H80/H100 channels.

Weep holes along each side allow liquids collecting on the membrane to run into the channel. Each weep hole opening is 1.18" (30mm) x 0.15" (4mm).

ACO DRAIN *MembraneDrain*

MembraneDrain - 4" internal width, sub-frame and channel



MembraneDrain

Specifically for use in **non-habitable** suspended slabs where any liquid permeating through the paving is collected on a membrane and directed into the trench drain.

MembraneDrain is available with galvanized or stainless steel edge rail and is used in conjunction with SlabDrain H100-8 or H100-10 channels.

Loading is determined by grate, up to Load Class C. Uses standard KlassikDrain K100 grates.

For membrane applications above a habitable area ACO offer ProfiLine, a steel drainage system that sits entirely above the membrane.



Parts list

| | Part No | | Invert Depth | Weight |
|-----------------------------------|---------|-------|--------------|--------|
| | Galv | S/S | Inches | Lbs |
| Membrane subframe - 19.69" (0.5m) | 96903 | 96918 | 3.62 | 9.7 |
| Clamping device | 96905 | 96913 | - | 0.9 |

Notes:

1. For H100-8/H100-10 channel information, see SlabDrain leaflet/ ACO Drain Technical Handbook.

Clamping device

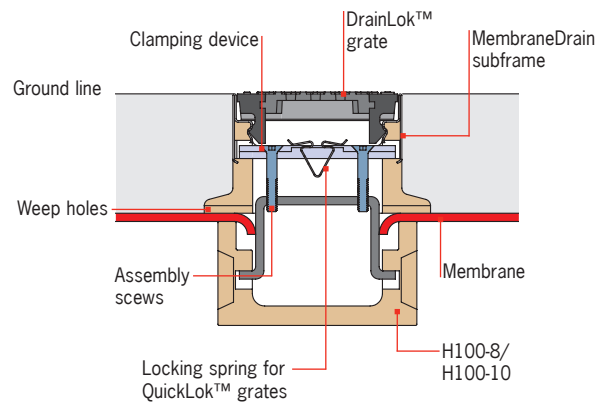
Two assembly screws

Removable locking bar with QuickLok™ locking mechanism

Inverted U locking bar fits in channel and locks Membrane unit and channel together



Section through Membrane Drain System



For full details regarding the ACO Drain product line, refer to the ACO Drain Technical Handbook & Product Catalog.

ACO, Inc.

West Sales Office

825 W. Beechcraft St.
Casa Grande, AZ 85122
Tel: (520) 421-9988
Toll Free: (888) 490-9552
Fax: (520) 421-9899

Northeast Sales Office

9470 Pinecone Drive
Mentor, OH 44060
Tel: (440) 639-7230
Toll Free: (800) 543-4764
Fax: (440) 639-7235

Southeast Sales Office

4211 Pleasant Road
Fort Mill, SC 29708
Toll Free: (800) 543-4764
Fax: (803) 802-1063

Electronic Contact:

info@acousa.com
www.acodrain.us

© May 2018 ACO, Inc.

All reasonable care has been taken in compiling the information in this document. All recommendations and suggestions on the use of ACO products are made without guarantee since the conditions of use are beyond the control of the company. It is the customer's responsibility to ensure that each product is fit for its intended purpose and that the actual conditions of use are suitable. ACO, Inc. reserves the right to change products and specifications without notice.

Re-order Part # DL123 v1.0

